



Accu-Cut

Premium Cutters



Rockwell Hardness Rating: 63-65
Forged Steel Blades



Dual Leaf Spring Release

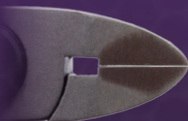


ESD Ergonomic Cushion Grip

Durable. Reliable. Precise.

Aven's redesigned Accu-Cut cutters come complete with all of the premium features you've come to expect without the premium price.

- Redesigned head sizes to fit modern applications
- Ergonomic, ESD Safe hand grips for large and small hands
- Forged steel blades provide 63-65 HRC
- Screw joint construction
- Dual leaf springs
- Available in flush and semi-flush cutting finishes
- Oval Head and Tapered Head styles
- Rigorously tested in our custom-made cutting machine




Semi-Flush Blade

Flush Blade

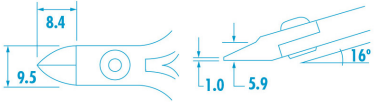



Accu-Cut Premium Cutters



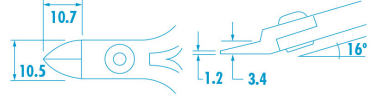

| OVAL HEAD CUTTERS | | |
|-------------------|--------------|-------|
| ITEM # | CUTTING EDGE | PRICE |
| 10821S | Semi-Flush | |
| 10821F | Flush | |

This popular style can be used for many applications

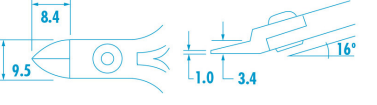

| TAPERED HEAD CUTTERS | | |
|----------------------|--------------|-------|
| ITEM # | CUTTING EDGE | PRICE |
| 10825S | Semi-Flush | |
| 10825F | Flush | |

Compact pointed head for increased access, yet covers a wide range

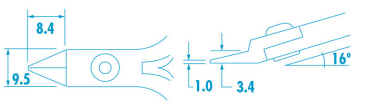

| OVAL HEAD RELIEF CUTTERS | | |
|--------------------------|--------------|-------|
| ITEM # | CUTTING EDGE | PRICE |
| 10822S | Semi-Flush | |
| 10822F | Flush | |

Same features as the Oval Head Cutter with relief for extra accessibility



| TAPERED HEAD RELIEF CUTTERS | | |
|-----------------------------|--------------|-------|
| ITEM # | CUTTING EDGE | PRICE |
| 10826S | Semi-Flush | |
| 10826F | Flush | |

Same features as the Tapered Head Cutter with relief for extra accessibility

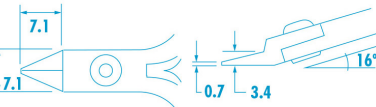

| LARGE OVAL HEAD CUTTERS | | |
|-------------------------|--------------|-------|
| ITEM # | CUTTING EDGE | PRICE |
| 10823S | Semi-Flush | |
| 10823F | Flush | |

Popular for wire and cable, 25% larger than the standard oval cutters

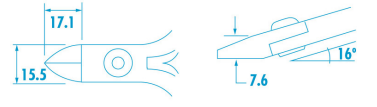

| MINI TAPERED HEAD RELIEF CUTTERS | | |
|----------------------------------|--------------|-------|
| ITEM # | CUTTING EDGE | PRICE |
| 10828S | Semi-Flush | |
| 10828F | Flush | |

For exceptionally fine cutting work. Reach small and difficult areas.

| XL OVAL HEAD CUTTERS | | |
|----------------------|--------------|-------|
| ITEM # | CUTTING EDGE | PRICE |
| 10829S | Semi-Flush | |
| 10829F | Flush | |

The largest and most durable Accu-Cut Cutter

| MINI OVAL HEAD CUTTERS | | |
|------------------------|--------------|-------|
| ITEM # | CUTTING EDGE | PRICE |
| 10827S | Semi-Flush | |
| 10827F | Flush | |

SMT Cutter, 30% smaller than standard oval cutters

