



# PRODUCT DATASHEET

## Minnie series

last update 22/10/2013

### DETAILS

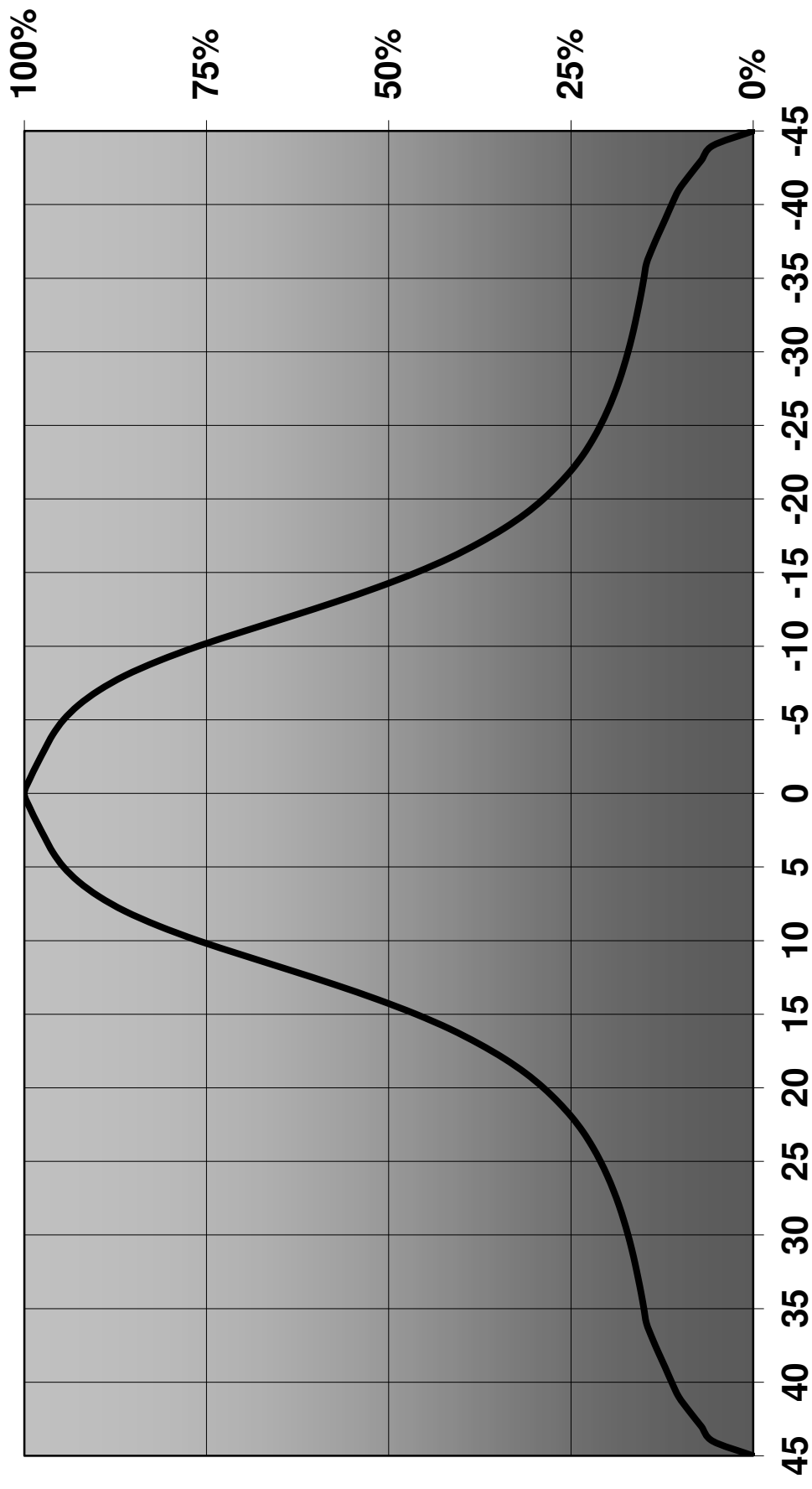
<b>Product Number</b>	CA12882_MINNIE-W
<b>Family</b>	Minnie
<b>Type</b>	RefAssy
<b>Color</b>	black
<b>Diameter</b>	35 mm
<b>Height</b>	15,8 mm
<b>Style</b>	round
<b>Optic Material</b>	
<b>Holder Material</b>	
<b>Fastening</b>	tape
<b>Status</b>	production ready
<b>ROHS Compliant</b>	Yes
<b>Date Updated</b>	22/10/2013



### OPTICAL PROPERTIES

LED	Viewing Angle	Light Beam	Efficiency	cd/lm	Connector
MK-R	28 deg	Wide	89 %	2.000	-
XHP70	32 deg	Wide	89 %	1.800	-
LUXEON M/MX	29 deg	Wide	92 %	2.065	-

**Relative intensity of CA12882\_MINNIE-W-LuxM**



D

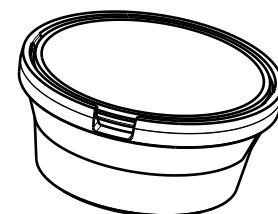
C

B

A

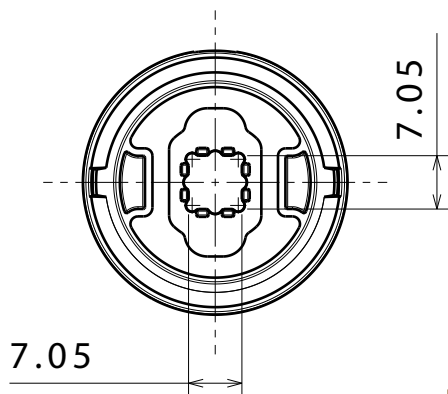
4

4

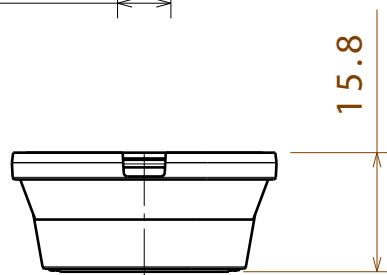


Isometric view

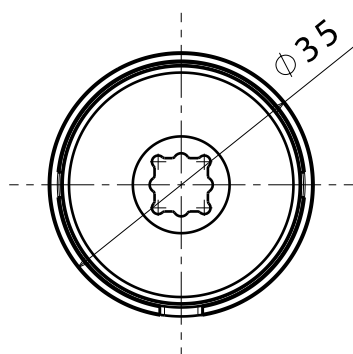
Bottom view



Front view



Top view



3

3

2

2

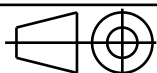
INDEX	PART NO	DESCRIPTION	MATERIAL	COLOUR
1	-	MINNIE_LUXEON-M_ASSEMBLY	Refl and holder PC, Tape PU foam	

Tolerances if not otherwise shown  
According to DIN ISO 2768-1  
Linear measures:  
Up to 30mm class M, otherwise class C.  
According to DIN ISO 2768-2  
Form and position: class L

LEDiL

Ledil Oy  
Salorankatu 10  
FIN 24240 SALO  
Finland

THIRD ANGLE PROJECTION:



DRAWING TITLE

MINNIE\_LUXEON-M\_ASSEMBLY

This drawing is the property  
of LEDiL Oy. It may not be  
reproduced, copied or  
communicated without a written  
agreement with LEDiL Oy."

SIZE PART NUMBER

A4 -

SCALE 1:1

WEIGHT -

SHEET 1/1

D

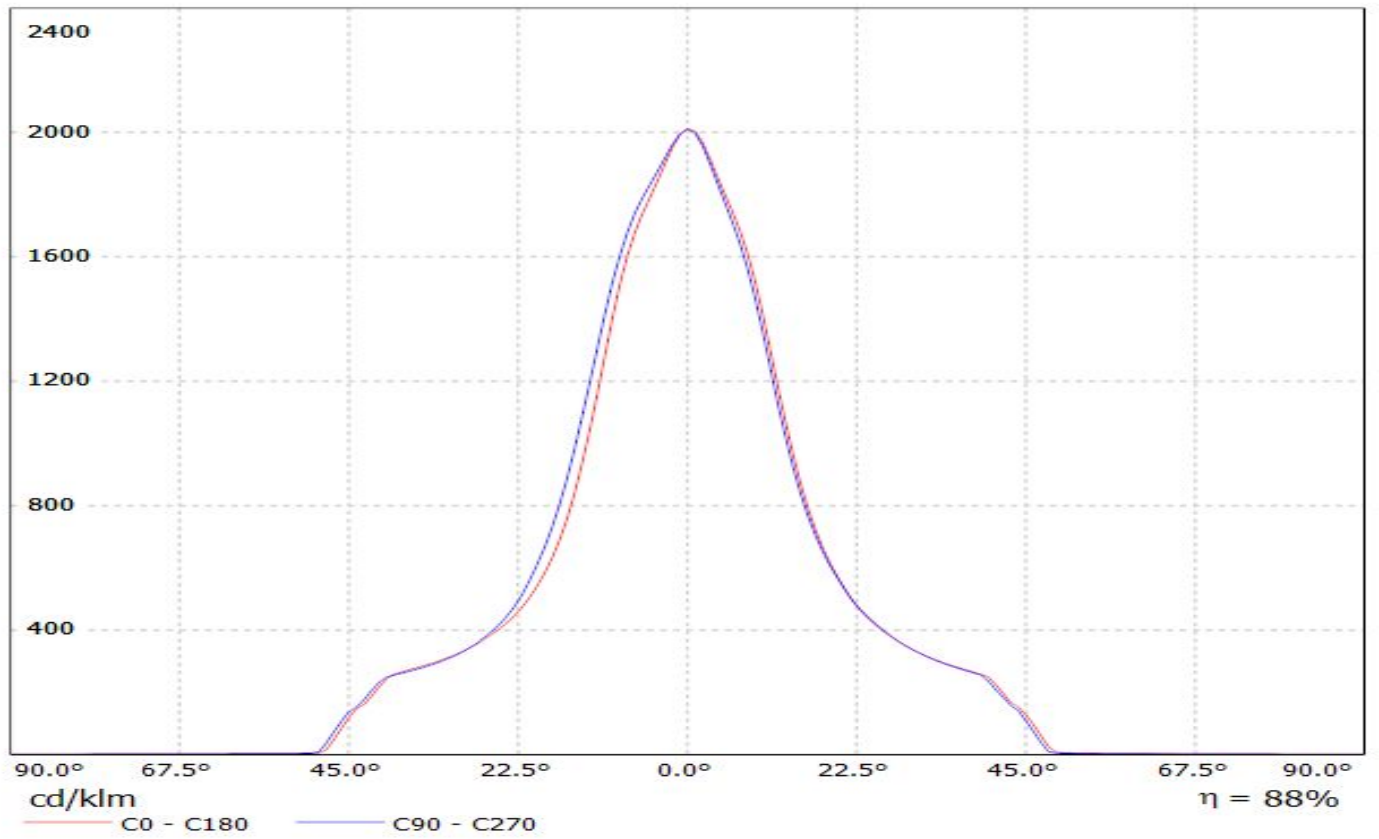
A

1

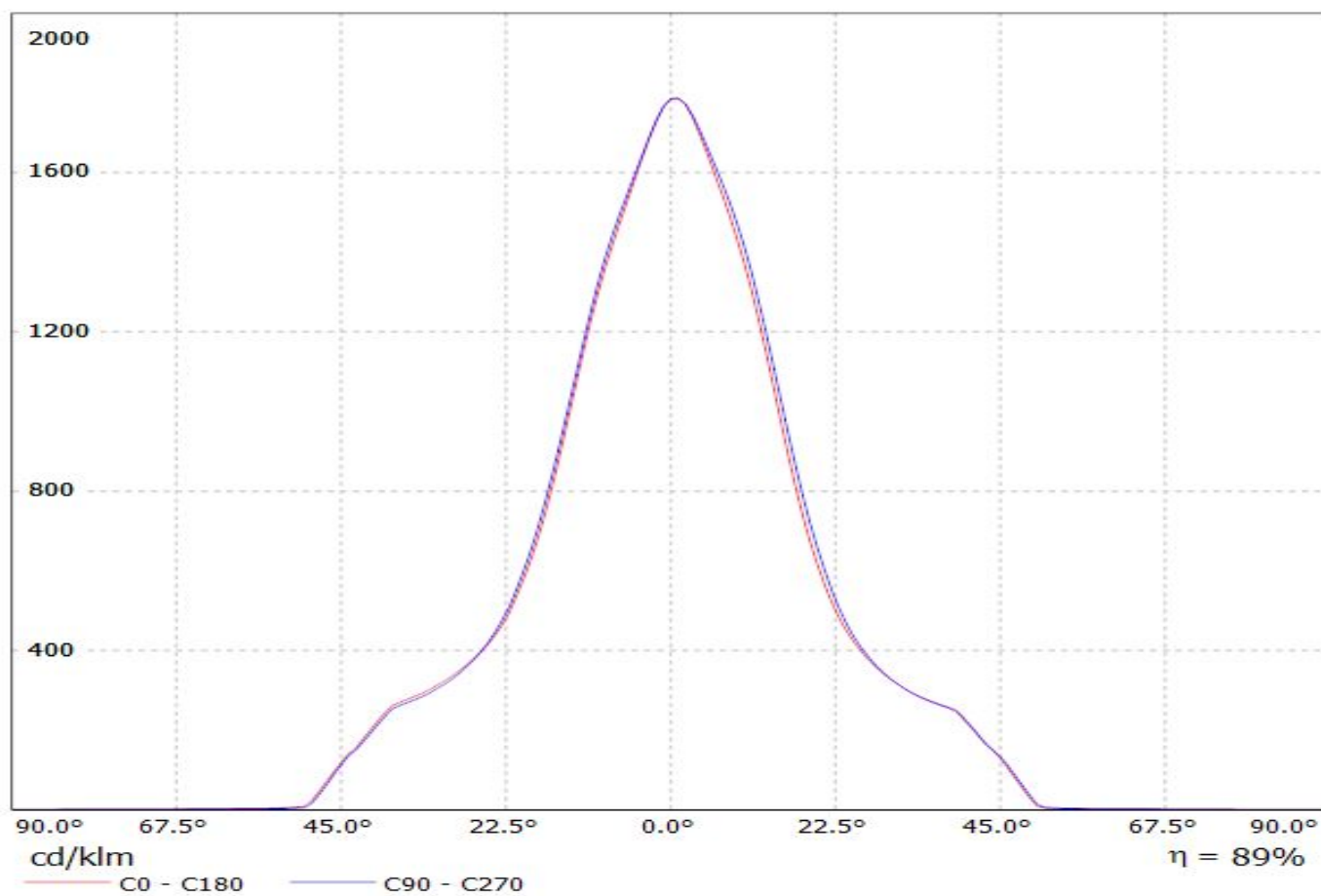
1

# LEDiL Oy CA12882\_MINNIE-W\_(CREE\_MKR) Eff.88.2% / LDC (Linear)

Luminaire: LEDiL Oy CA12882\_MINNIE-W\_(CREE\_MKR) Eff.88.2%  
Lamps: 1 x CREE\_MKR (368.505lm@250mA)

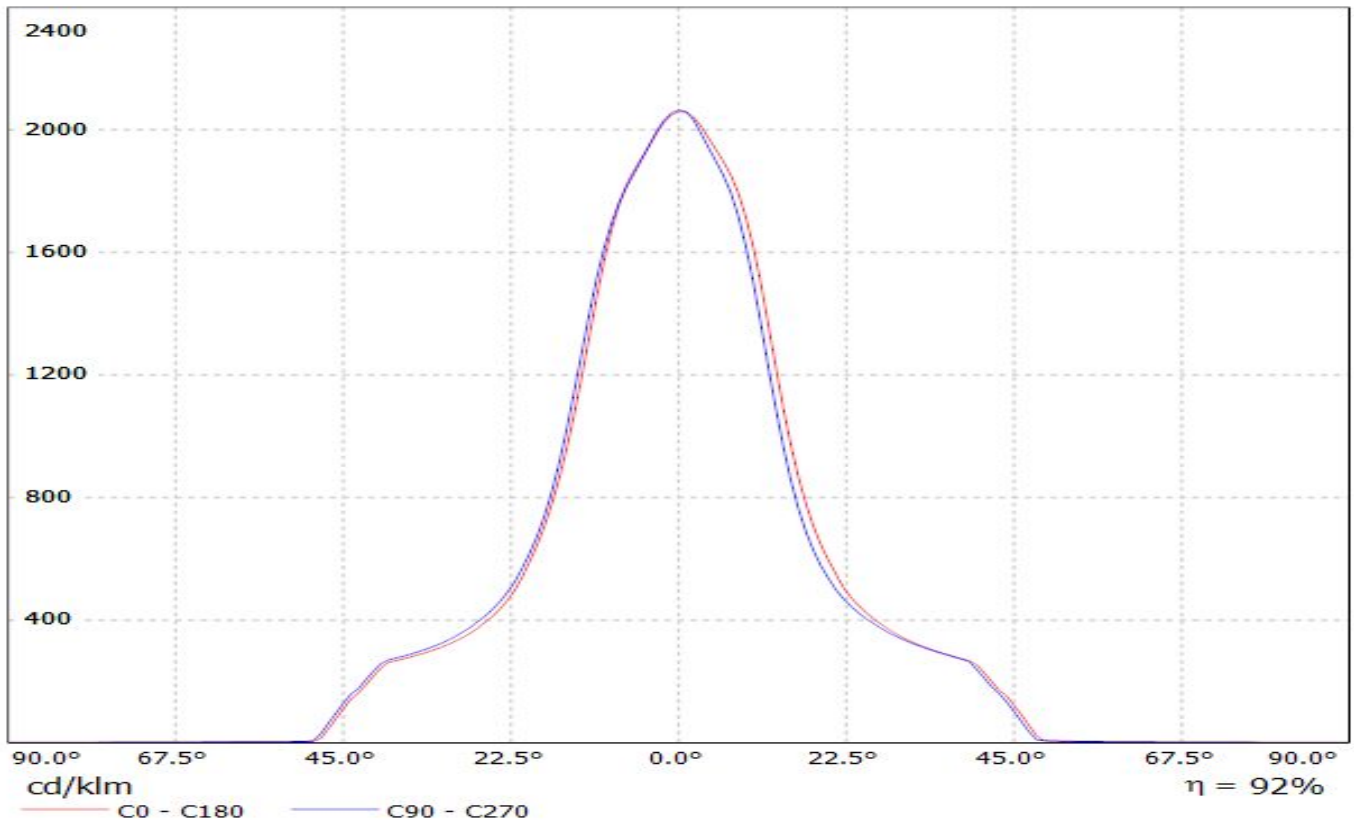


Luminaire: LEDiL Oy CA12882\_MINNIE-W\_(Cree\_XHP70)  
Lamps: 1 x Cree\_XHP70\_261.339lm@250mA\_P=1.3827W\_I=0.2499A



**LEDIL OY C11862\_MINNIE-W\_(LUXEON-M) 91.9% / LDC (Linear)**

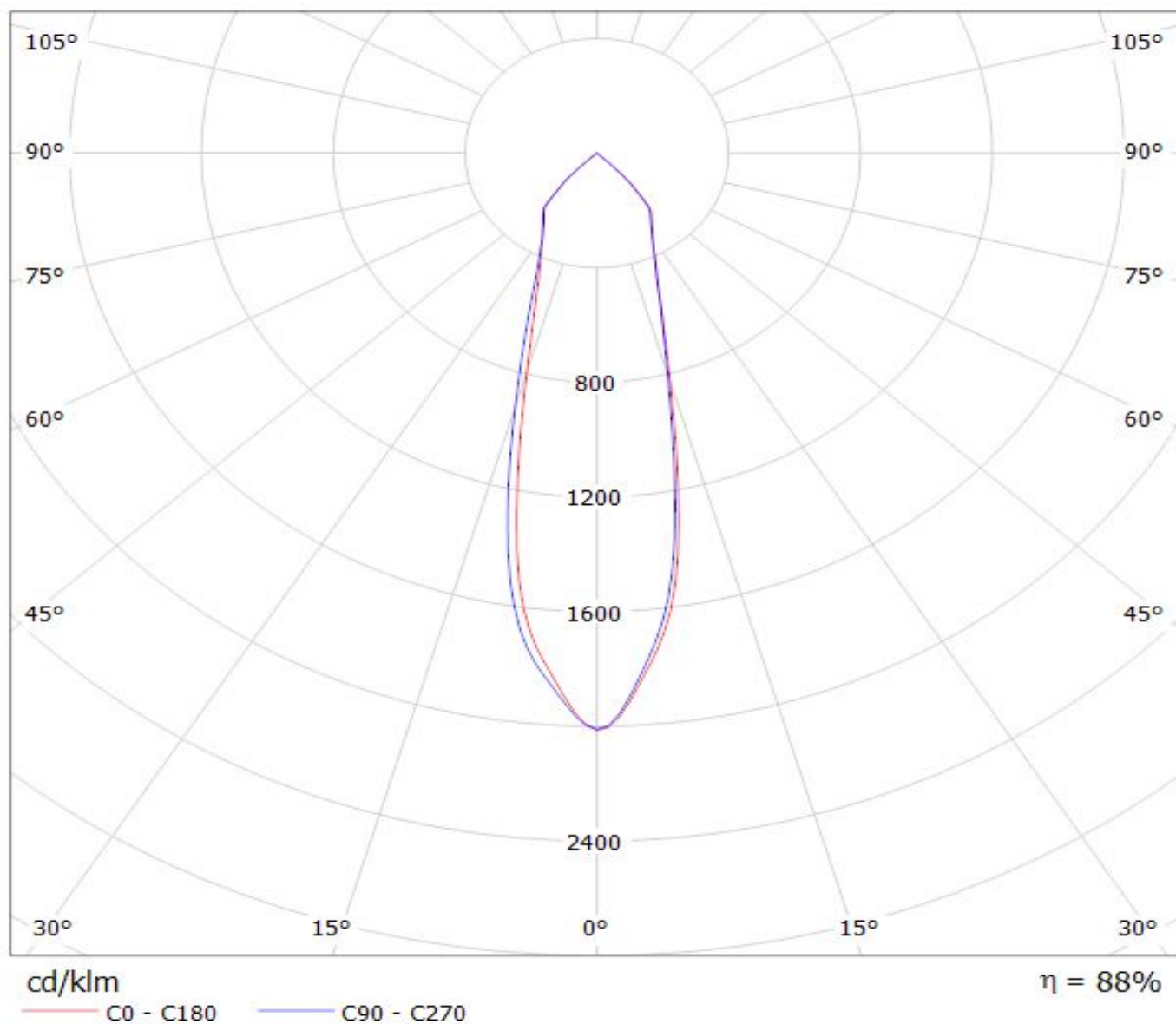
Luminaire: LEDIL OY C11862\_MINNIE-W\_(LUXEON-M) 91.9%  
Lamps: 1 x LUXEON-M



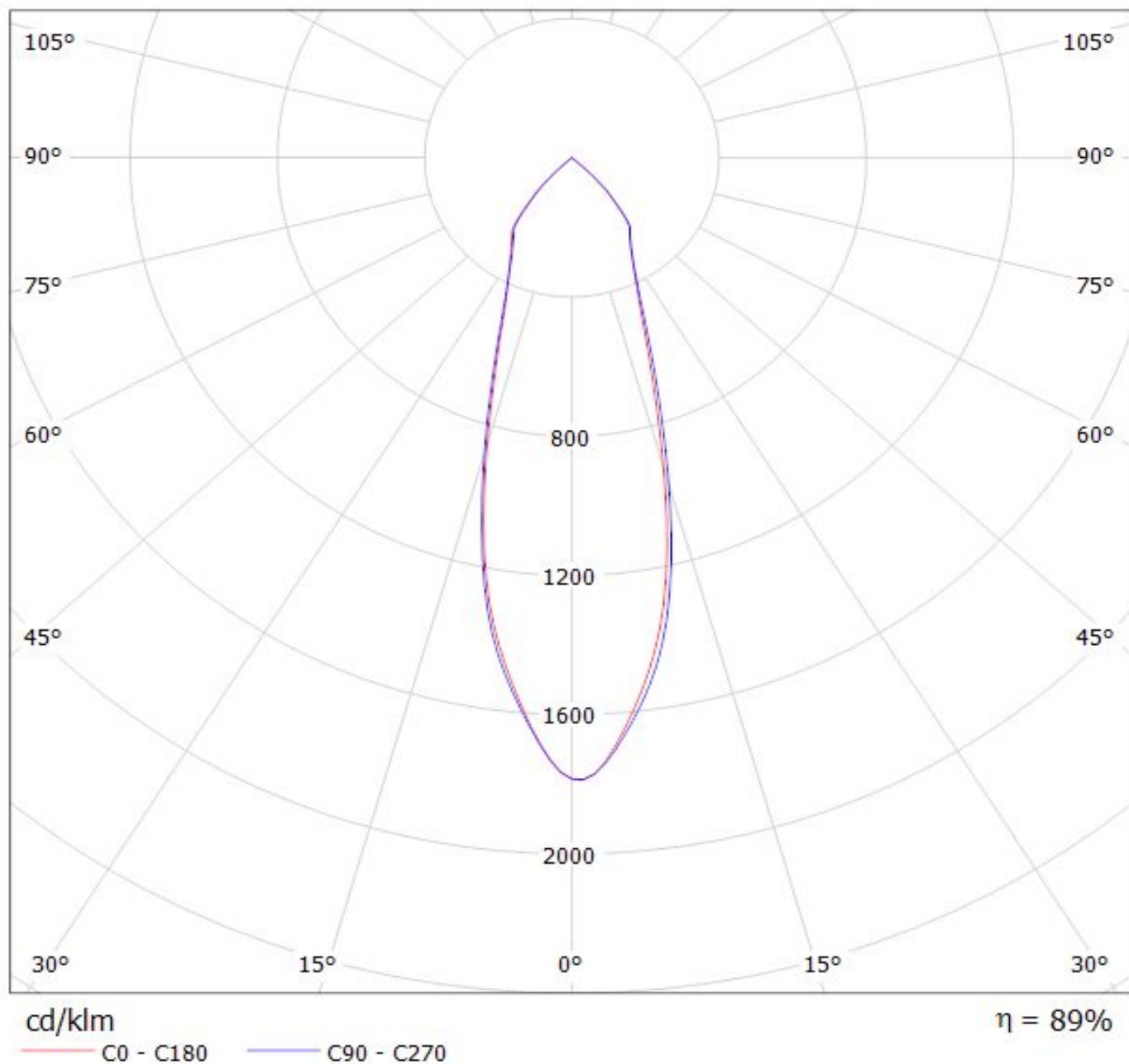
# LEDiL Oy CA12882\_MINNIE-W\_(CREE\_MKR) Eff.88.2% / LDC (Polar)

Luminaire: LEDiL Oy CA12882\_MINNIE-W\_(CREE\_MKR) Eff.88.2%

Lamps: 1 x CREE\_MKR (368.505lm@250mA)



Luminaire: LEDiL Oy CA12882\_MINNIE-W\_(Cree\_XHP70)  
Lamps: 1 x Cree\_XHP70\_261.339lm@250mA\_P=1.3827W\_I=0.2499A

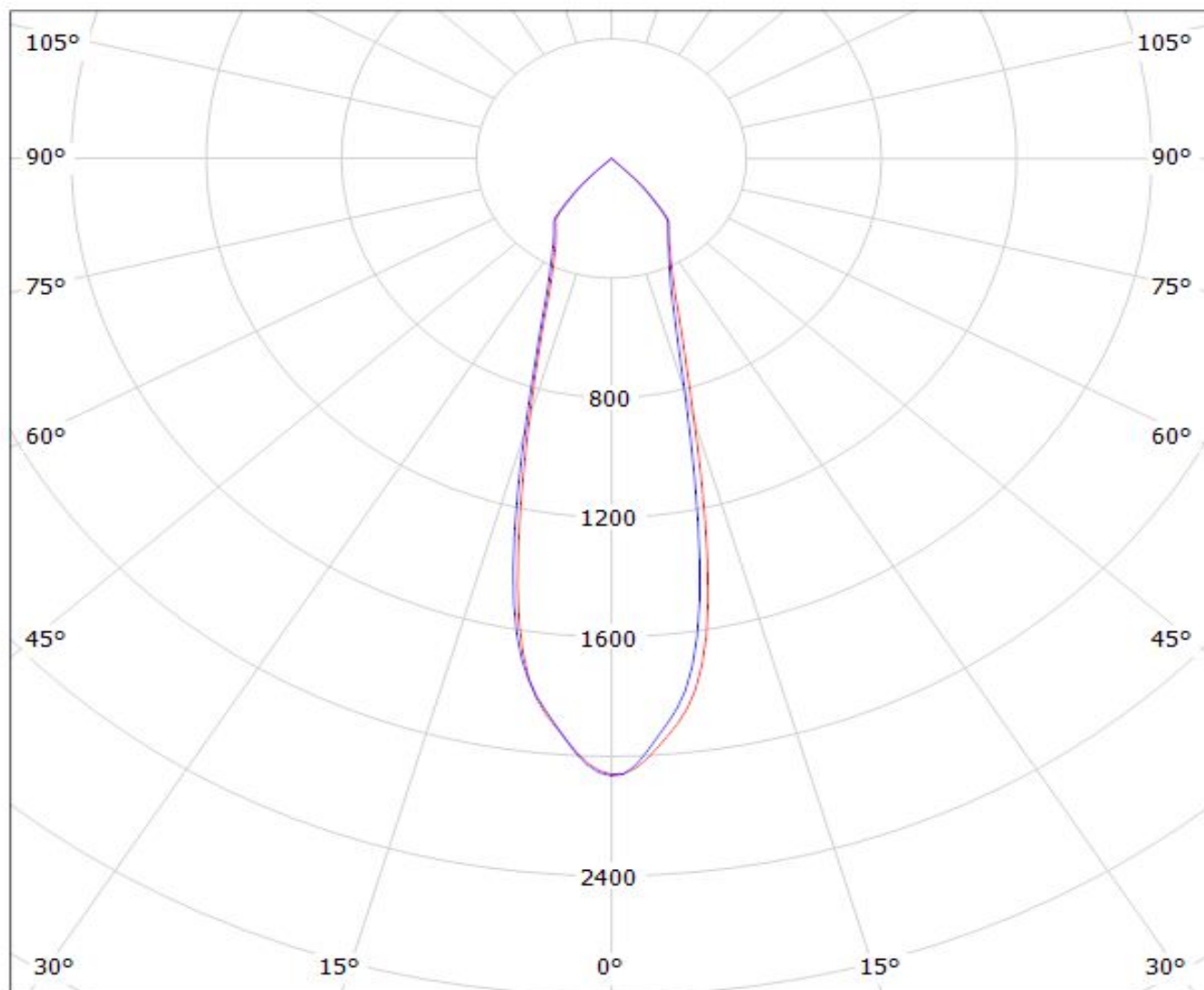




# LEDIL OY C11862\_MINNIE-W\_(LUXEON-M) 91.9% / LDC (Polar)

Luminaire: LEDIL OY C11862\_MINNIE-W\_(LUXEON-M) 91.9%

Lamps: 1 x LUXEON-M



cd/klm

— C0 - C180 — C90 - C270

$\eta = 92\%$

**NOTE: The typical divergence will be changed by different color, chip size and chip position tolerance. The typical total divergence is the full angle measured where the luminous intensity is half of the peak value.**