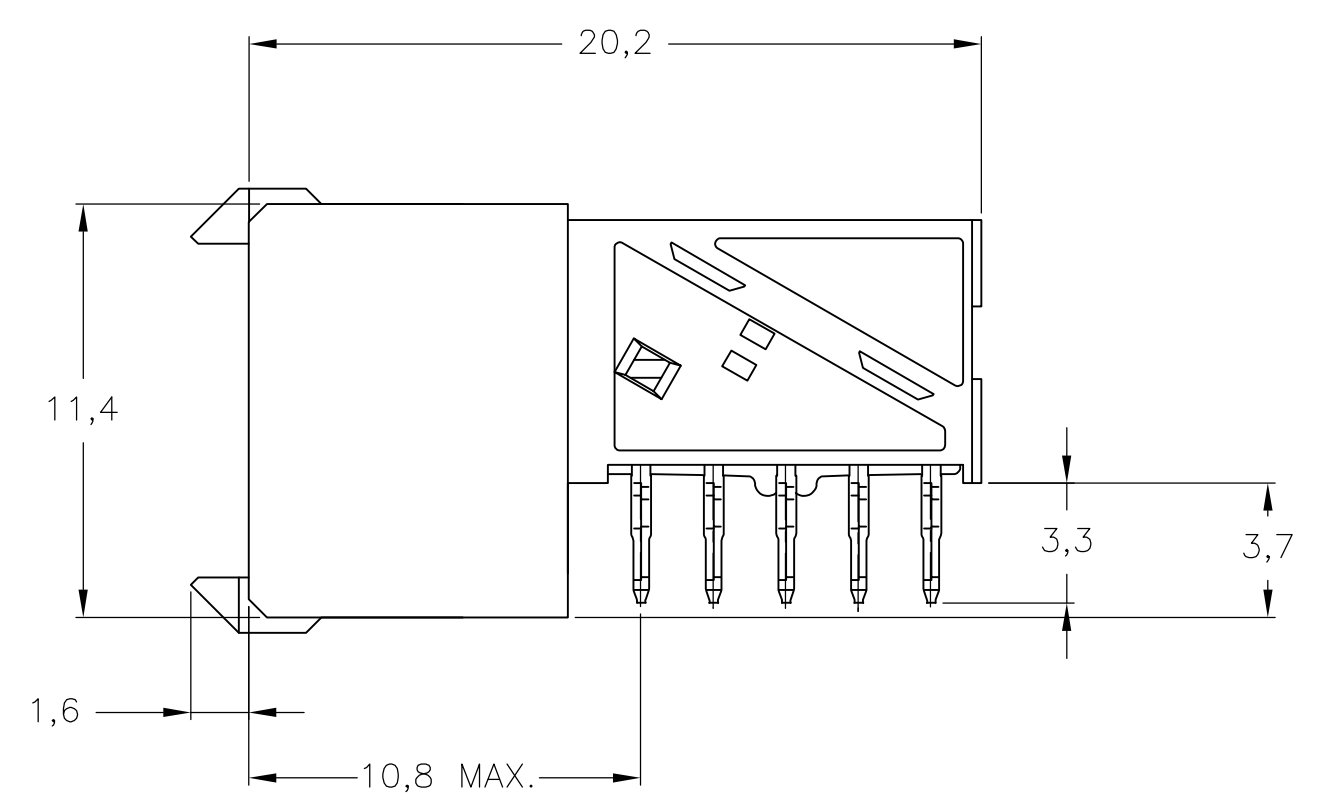
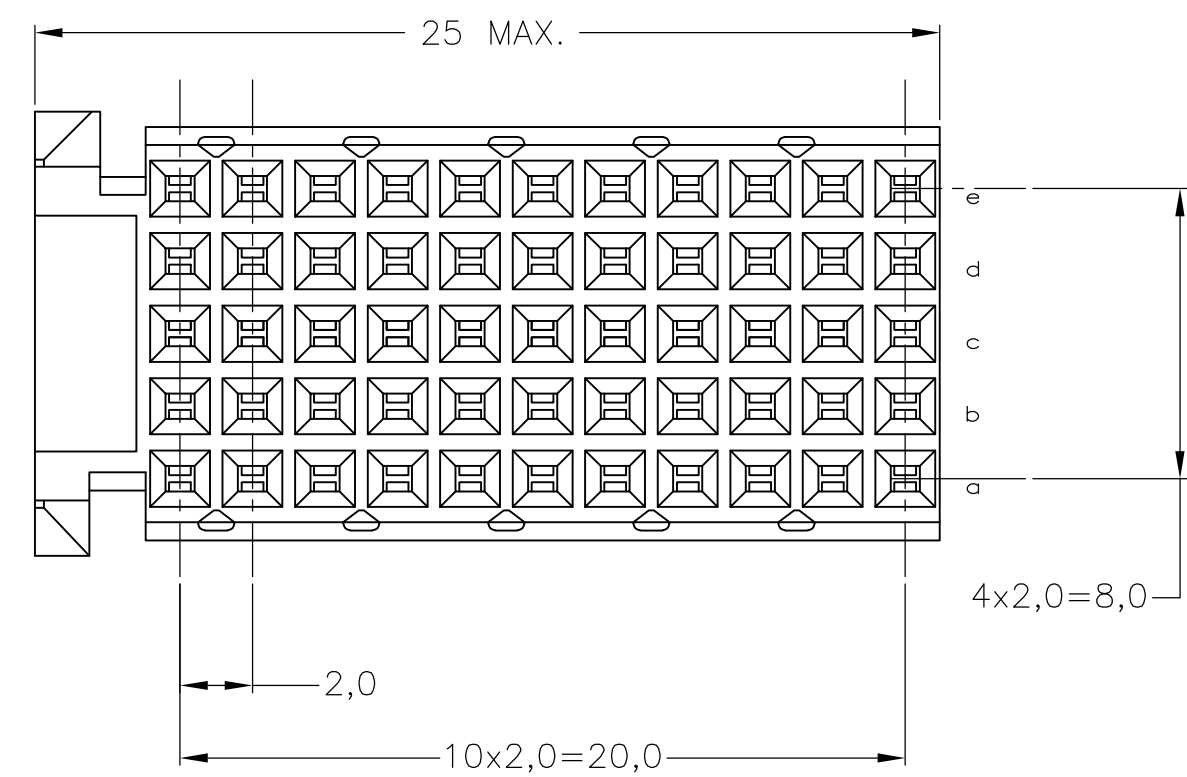
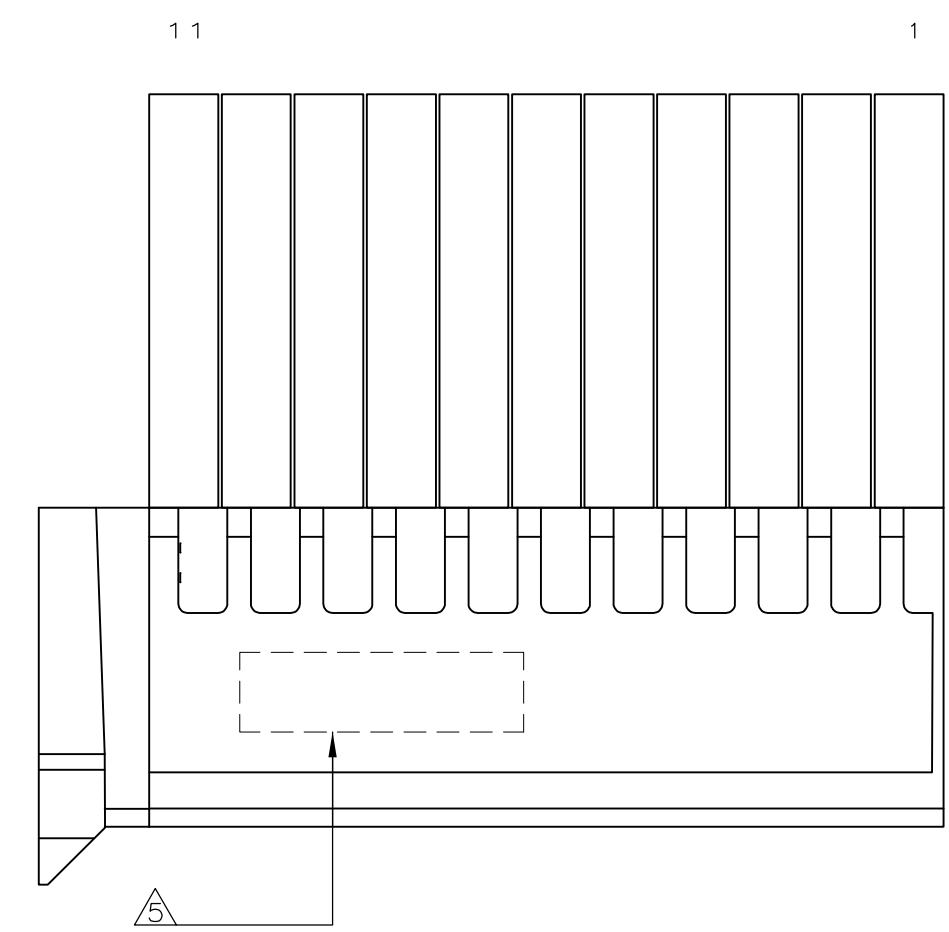
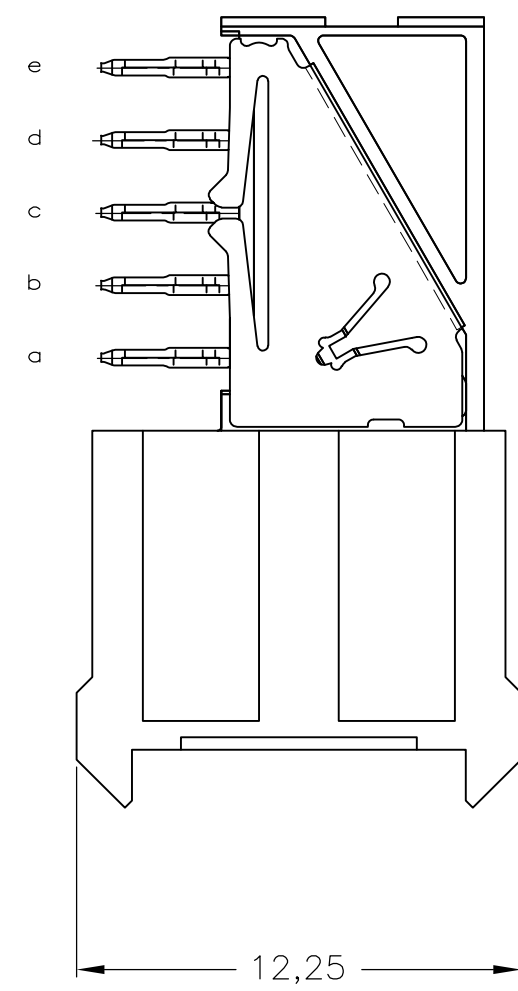
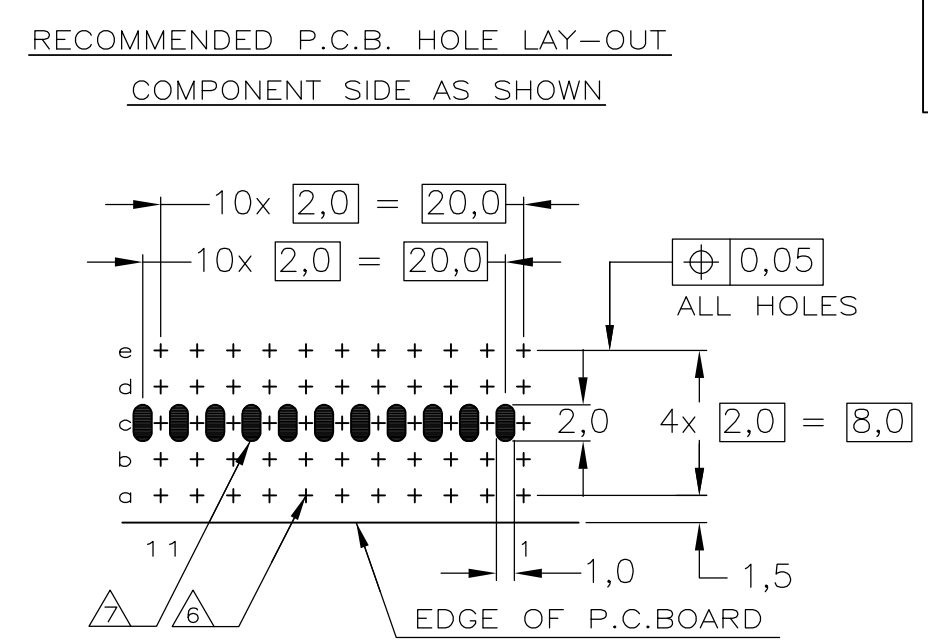


THIS DRAWING IS UNPUBLISHED. RELEASED FOR PUBLICATION
 © COPYRIGHT BY TYCO ELECTRONICS CORPORATION. ALL RIGHTS RESERVED.

LOC	DIST	REVISIONS					
		P	LTR	DESCRIPTION	DATE	DWN	APVD
H	-		C	ECR-06-026577	14-11-06	BSV	BM
			C1	REVISED PER ECO-09-024927	10NOV09	KK	AEG
			D	ECR-10-018652	10SEP10	SW	MQW



- NOTES:**
- ⚠ CONTACT; PHOSPHORBRONZE
REDUCED CROSS-TALK SHIELD: PHOSPHORBRONZE
HOUSING; GLASSFILLED POLYESTER (GRAY)
 - ⚠ GENERAL CONTACT PLATING SPECIFICATION: UNDERPLATING
(ENTIRE CONTACT): 1,27µm NICKEL MIN. AND
ACTION PIN: 0,5µm TIN MIN.
FOR PLATING OF MATING SURFACES SEE APPLICABLE SPECIFICATION
REFERENCE FOR EACH DASH NUMBER.
REDUCED CROSS-TALK SHIELD PLATING: GOLD FLASH OVER 1,27 µm NICKEL MIN.
 - ⚠ CONFORMS TO ALL TESTING ACCORDING IEC 61076-4-101
PERFORMANCE LEVEL 2.
 - ⚠ CONFORMS TO ALL TESTING ACCORDING IEC 61076-4-101
PERFORMANCE LEVEL 1.
 - ⚠ CONNECTOR PRINTED WITH PARTNUMBER AND DATECODE
(OTHER MARKING OPTIONAL)
THE MARKING CAN APPEAR ON THE FRONT SIDE OR THE BACK SIDE.
 - ⚠ PLATED-THROUGH HOLES AT 2x2mm SQUARE GRID
TOTAL 55 HOLES.
 - ⚠ PLATED SPOT ONLY ON COMPONENT SIDE, FORMING ONE CONTACT
WITH PLATED THROUGH HOLES OF ROW C.
 - ⚠ OBSOLETE PARTS: OBSOLETE CIS STREAMLINING PER
D.RENAUD/D.SINISI



P.C.B. HOLE DIM. ACTION PIN
FOR DETAILS SEE
APPLICATION SPECIFICATION

SCALE 2,5:1

⚠ 2 4	⚠ 1	⚠ 8	-5188224-4
⚠ 2 3	⚠ 1		5188224-1
FINISH		PARTNUMBER	

THIS DRAWING IS A CONTROLLED DOCUMENT.

DIMENSIONS: mm	TOLERANCES UNLESS OTHERWISE SPECIFIED: ±0.2	DWN K.N.KIRAN 13AUG2004	Tyco Electronics Corporation 's-Hertogenbosch,5222AR-32	
		CHK B.MOOIJ 22MAR2005	NAME	
		APVD B.MOOIJ 22MAR2005	Z-PACK 2mm HM TYPE C	
		PRODUCT SPEC 108-19082	55 POS. FEMALE DAUGHTER CARD CONN. WITH REDUCED CROSS-TALK SHIELD	
		APPLICATION SPEC 114-19029	SIZE A2	RESTRICTED TO
MATERIAL	FINISH	WEIGHT	CAGE CODE 00779	DRAWING NO. C=5188224
			SCALE 5:1	SHEET 1 OF 1
		CUSTOMER DRAWING		REV D