

## Cable gland - G-INSEC-M16-S68N-NCRS-S - 1411188

Please be informed that the data shown in this PDF Document is generated from our Online Catalog. Please find the complete data in the user's documentation. Our General Terms of Use for Downloads are valid (<http://phoenixcontact.com/download>)



Cable gland, Cable gland material: Brass, nickel-plated, External cable diameter 5 mm ... 9 mm, Shielding: yes, Connecting thread: M16, Color: silver



### Key Commercial Data

Packing unit	1 pc
Minimum order quantity	10 pc
Weight per Piece (excluding packing)	1.0 g
Custom tariff number	74199990
Country of origin	Germany

### Technical data

#### Dimensions

Length	30 mm
Wrench size, union nut	17 mm
Wrench size, support	17 mm
Hexagon angular dimension GRP	19 mm
Length of the connecting thread	5 mm
Feed-through hole diameter	16.1 mm ... 16.2 mm
External cable diameter	5 mm ... 9 mm

#### Ambient conditions

Degree of protection	IP68
Ambient temperature (operation)	-20 °C ... 100 °C (dynamic)

#### General

No. of conductors	1
-------------------	---

# Cable gland - G-INSEC-M16-S68N-NCRS-S - 1411188

## Technical data

### General

Cable gland material	Brass, nickel-plated
Seal material	Neoprene
Cable seal material	Neoprene
O-ring material	NBR
Shielded	yes
Thread type on connection side	M16
Color	silver

### Standards and Regulations

Connection in acc. with standard	CUL
----------------------------------	-----

## Classifications

### eCl@ss

eCl@ss 5.1	27149109
eCl@ss 6.0	27149109
eCl@ss 8.0	27149109

### ETIM

ETIM 4.0	EC000441
ETIM 5.0	EC000441

## Approvals

### Approvals

---

#### Approvals

UL Listed / UL Recognized / cUL Listed / cUL Recognized / cULus Recognized / cULus Listed

---

#### Ex Approvals

---

#### Approvals submitted

---

### Approval details

# Cable gland - G-INSEC-M16-S68N-NCRS-S - 1411188

## Approvals

UL Listed

UL Recognized

cUL Listed

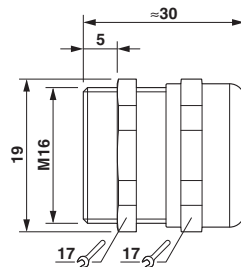
cUL Recognized

cULus Recognized

cULus Listed

## Drawings

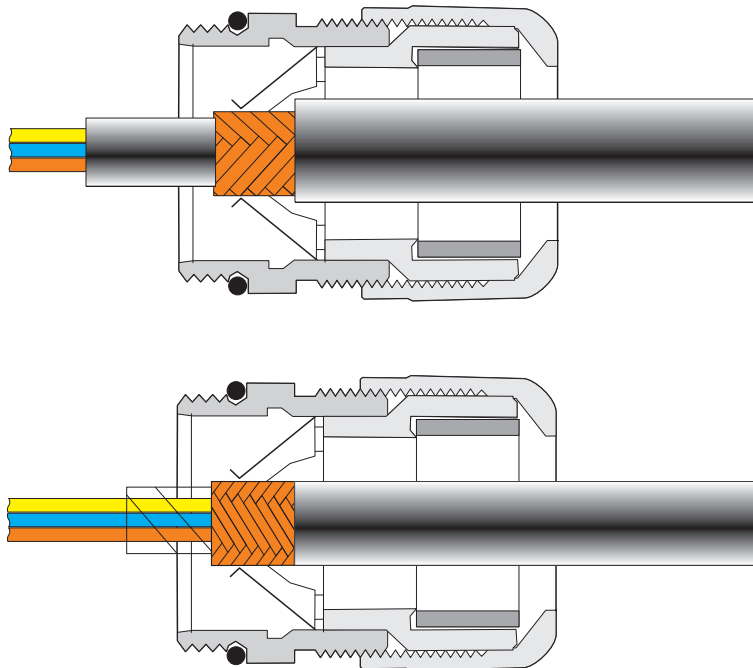
Dimensional drawing



Dimensional drawing

## Cable gland - G-INSEC-M16-S68N-NCRS-S - 1411188

Functional drawing



### Assembly instructions:

#### Method 1

Slit the outer sheath after approximately 15 mm, but do not remove it. Guide the cable through the screw connection and then remove the outer sheath. Now withdraw the cable until a connection is established between the conductor shield and the contact spring.

#### Method 2

Push the braided shield back approximately 15 - 20 mm over the outer sheath. Insert the cable into the screw connection until a connection is established between the conductor shield and the contact spring.

#### Method 3

Uncover about 10 mm of the braided shield and guide the cable through the screw connection until a connection is established between the conductor shield and the contact spring.